



DUCTED GAS HEATING

Spare Parts

Information and Price List

Effective 1st May 2014

ALL PRICES EXCLUDE GST

AirGroup Australia
28/30 Division Street
Welshpool WA 6106

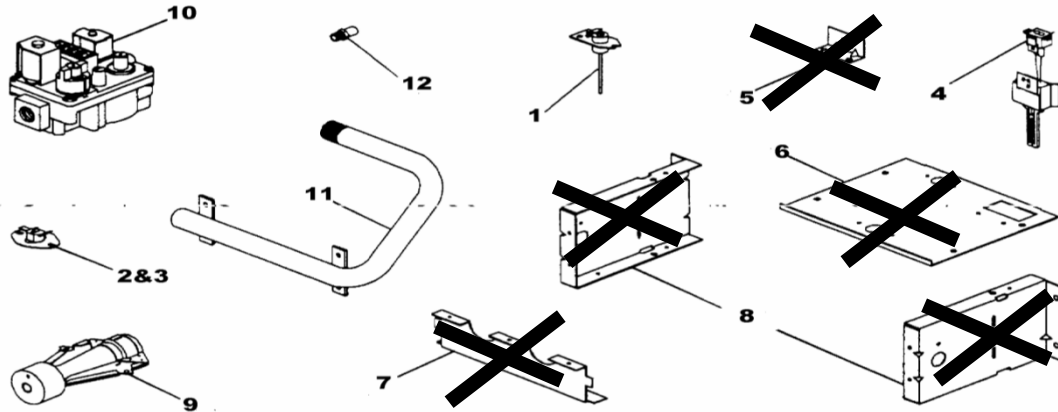
For Customer Service Call:
Western Australia 08-9350-2200
Victoria 03-8336-1042
South Australia 08-8277-5132

GMC PHOENIX GAS FURNACES

CONTENTS

	PAGE
Gas Train	3
Heat Exchange	4
Blower Assembly	5
Electrical and Hardware	6

GMC PHOENIX GAS FURNACES



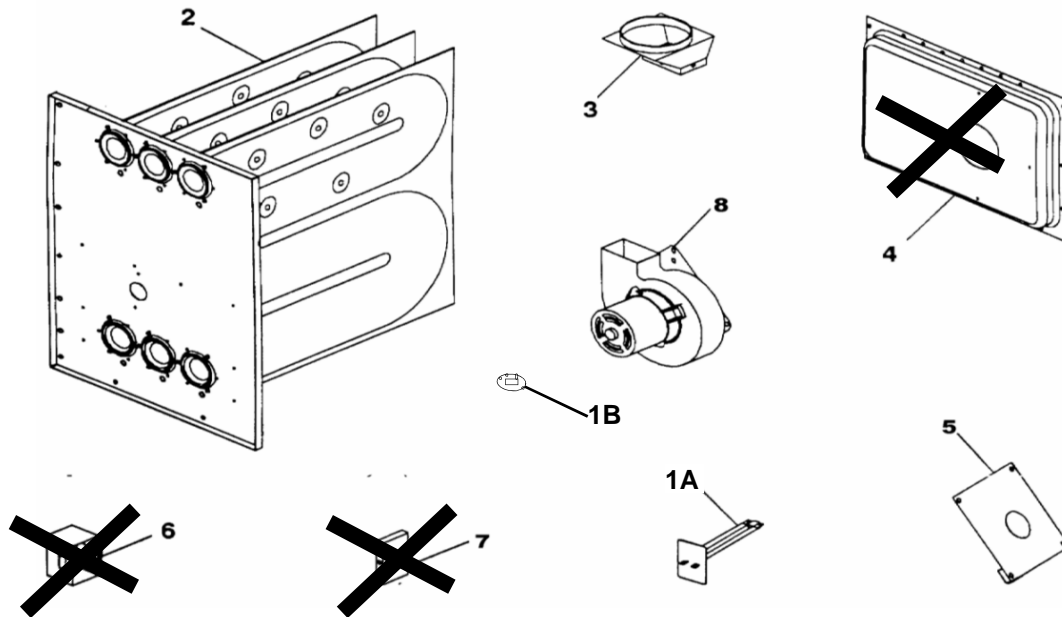
GAS TRAIN

#	PART NUMBER	DESCRIPTION	GMP 070	GMP 110	GMP 135	GMP 150	GMP 170	Ex GST Price
1	B11726-06	FLAME SENSOR	1	1	1	1	1	
2	B13701-08	ROLLOUT/SPILL SWITCH, BLUE, C/W BRACKET	1	1	1	1	1	
3	B13701-45	ROLLOUT/SPILL SWITCH, BLUE, W/O BRACKET	3	3	3	3	3	
4	B14010-14	DIRECT SPARK IGNITER ASSY^	1	1	1	1	1	
	B14010-09S	HOT SURFACE IGNITER ASSY^^	1	1	1	1	1	
5	25095-00	H.S.I MOUNTING BRACKET	1	1	1	1	1	
6	25130-00	2CL, BURNER BOX TOP	1					
	25130-01	3CL, BURNER BOX TOP		1				
	25130-02	4CL, BURNER BOX TOP			1			
	25130-03	5CL, BURNER BOX TOP				1		
	25130-04	6CL, BURNER BOX TOP					1	
7	25135-00	2CL, BURNER RACK	1					
	25135-01	3CL, BURNER RACK		1				
	25135-02	4CL, BURNER RACK			1			
	25135-03	5CL, BURNER RACK				1		
	25135-04	6CL, BURNER RACK					1	
8	25140-00	BURNER BOX SIDE	2	2	2	2	2	
9	25227-03S	INSHOT BURNER ASSY	2	3	4	5	6	
10	B12826-14	GAS VALVE	1	1	1	1	1	
11	B25260-00	2CL, MANIFOLD	1					
	B25260-01	3CL, MANIFOLD		1				
	B25260-02	4CL, MANIFOLD			1			
	B25260-03	5CL, MANIFOLD				1		
	B25260-04	6CL, MANIFOLD					1	
12	B25893-43	GAS ORIFICE #43	2	3	4	5	6	
	SPTT201	GAS ORIFICE - LPG	2	3	4	5	6	
13	SPTT200	SPRING FOR GAS VALVE LPG	1	1	1	1	1	

^ Suitable for Direct Spark Ignition units only.

^^ Suitable for Hot Surface Ignition units only.

GMC PHOENIX GAS FURNACES

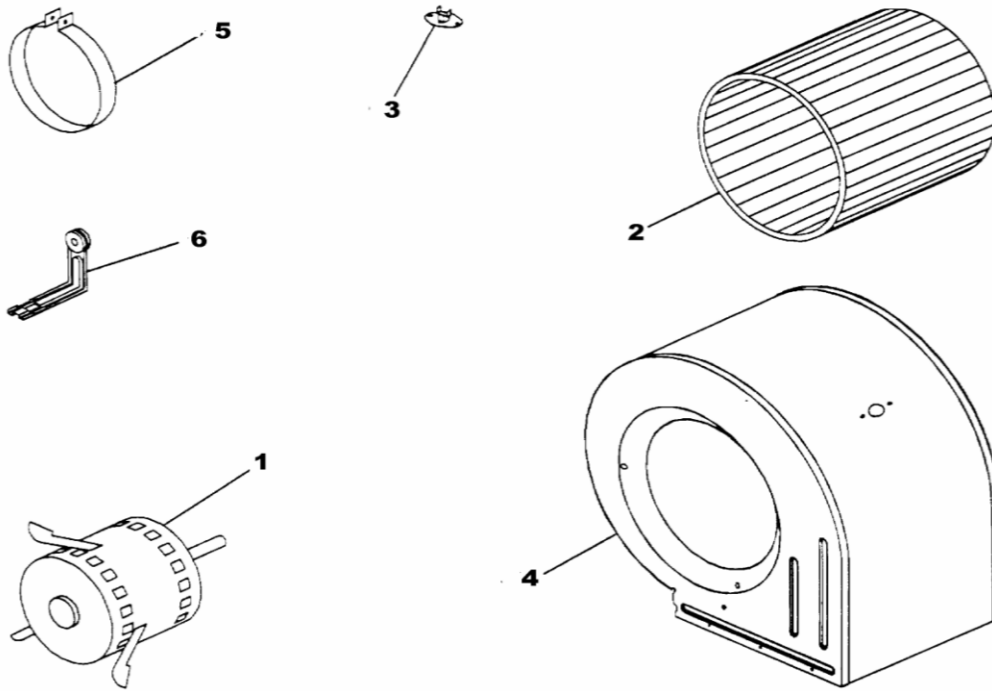


HEAT EXCHANGE ASSEMBLY

#	PART NUMBER	DESCRIPTION	GMP 070	GMP 110	GMP 135	GMP 150	GMP 170	Ex GST Price
1A	B13700-03 B13700-08 B13700-12	LIMIT SWITCH, 240, 75mm LIMIT SWITCH, 160, 175mm LIMIT SWITCH, 240, 175mm	1	1	1	1	1	
1B	B13701-68 B13701-67 B13701-70	MANUAL RESET LIMIT SWITCH MANUAL RESET LIMIT SWITCH MANUAL RESET LIMIT SWITCH	1	1	1			
2	25213-00S 25213-01S 25213-02S 25213-03S 25213-04S	HEAT EXCHR. SUB-ASSY, 2CL HEAT EXCHR. SUB-ASSY, 3CL HEAT EXCHR. SUB-ASSY, 4CL HEAT EXCHR. SUB-ASSY, 5CL HEAT EXCHR. SUB-ASSY, 6CL	1	1	1	1	1	
3	B25235-00	CHIMNEY	1	1	1	1	1	
4*	25100-00S 25100-01S 25100-02S 25100-03S	FLUE COLLECTOR BOX, 350mm FLUE COLLECTOR BOX, 425mm FLUE COLLECTOR BOX, 525mm FLUE COLLECTOR BOX, 600mm	1	1	1	1	1	
5*	25280-00S 25280-02S 25280-03S 25280-05S 25280-07S	FLUE RESTRICTOR PLATE FLUE RESTRICTOR PLATE FLUE RESTRICTOR PLATE FLUE RESTRICTOR PLATE FLUE RESTRICTOR PLATE	1	1	1	1	1	
6	25145-01	J-BOX (75 x 75 x 61)	1	1	1	1	1	
7	25155-01	J-BOX COVER (75 x 75 x 61)	1	1	1	1	1	
8	B18590-50S	FLUE BLOWER ASSY	1	1	1	1	1	
9	T208	REPLACEMENT FLUE BLOWER BARB	USE ON BLACK LABEL FASCO FLUE BLOWERS ONLY					

* Flue Restrictor Plate and Flue Collector Box includes Gasket Material

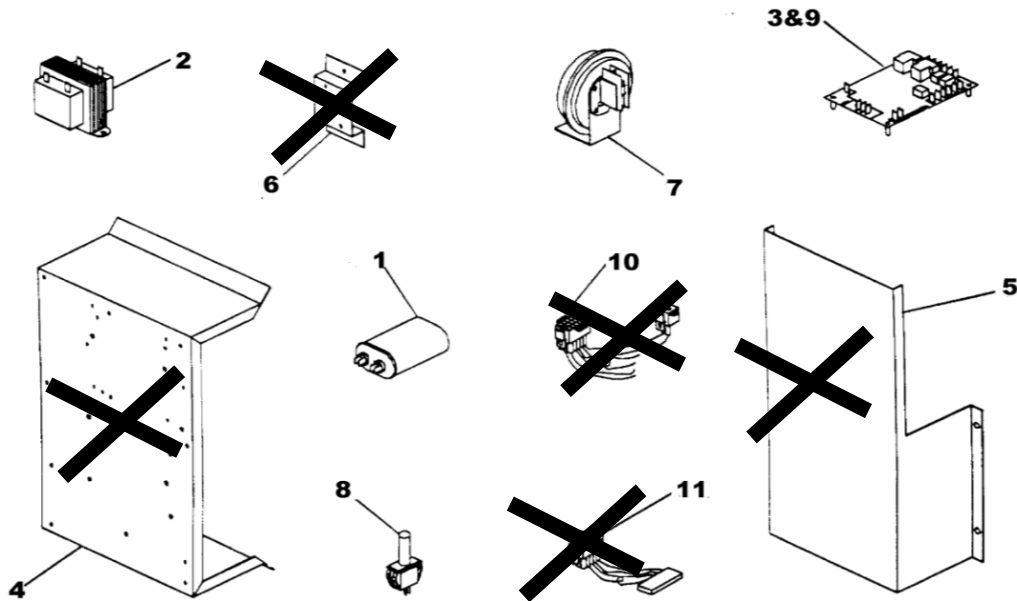
GMC PHOENIX GAS FURNACES



BLOWER ASSEMBLY

#	PART NUMBER	DESCRIPTION	GMP 070	GMP 110	GMP 135	GMP 150	GMP 170	Ex GST Price
1	B13400-502	MOTOR, 1/4 H.P	1	1				
	B13400-503	MOTOR, 1/2 H.P			1			
	B13400-522	MOTOR, 3/4 H.P, TWIN SHAFT					1	
	B13400-523	MOTOR, 3/4 H.P				1		
2	B13680-00	BLOWER WHEEL (11x10)				1		
	B13680-16	BLOWER WHEEL (10x8)			1			
	B13680-34	BLOWER WHEEL (10x6) LEFT	1	1			1	
	B13680-46	BLOWER WHEEL (10x6) RIGHT					1	
3	B13701-55	AUXILLIARY LIMIT CONTROL, 120F	1	1	1	1	1	
4	18393-01	BLOWER SHELL ASSY (10x6) RIGHT					1	
	25393-00	BLOWER SHELL ASSY (10x6) LEFT	1	1			1	
	25393-01	BLOWER SHELL ASSY (10x8)			1			
	25393-02	BLOWER SHELL ASSY (11x10)				1		
5	B13768-51	MOTOR MOUNT BAND			1	1	1	
6	B13768-57	MOTOR MOUNT ARM				3		
	B13768-59	MOTOR MOUNT ARM					3	
	B13768-53	MOTOR MOUNT ARM			3			

GMC PHOENIX GAS FURNACES



MISCELLANEOUS ELECTRICAL & HARDWARE

#	PART NUMBER	DESCRIPTION	GMP 070	GMP 110	GMP 135	GMP 150	GMP 170	Ex GST Price
1	B9456-51 B9456-52 B9456-53	CAPACITOR, 7.5/370 CAPACITOR, 10/370 CAPACITOR, 15/370	1	1	1	1	1	
2	B11416-43	TRANSFORMER	1	1	1	1	1	
3	B18099-20 B18099-09	50 HZ DIRECT SPARK IGNITION MODULE^ 50 HZ HOT SURFACE MODULE^^	1 1	1 1	1 1	1 1	1 1	
4	B18158-12	CONTROL MOUNT PANEL	1	1	1	1	1	
	B18099-21 B18099-22	DIRECT SPARK IGNITION MODULE 2003-2004 DIRECT SPARK IGNITION MODULE LINK	1 1	1 1	1 1	1 1	1 1	
5	25170-03	COVER FOR CONTROL PANEL	1	1	1	1	1	
6	25095-02	BRACKET FOR AIR PRESSURE SWITCH	1	1	1	1	1	
7	B13701-26 B13701-33 B13701-42	AIR PRESSURE SWITCH - VARIABLE AIR PRESSURE SWITCH - 50" WC AIR PRESSURE SWITCH - 60" WC	1	1	1	1	1	
8	B13708-20	DOOR SWITCH	1	1	1	1	1	
9	B18099-04	TIMED FAN CONTROL	1	1	1	1	1	
10	25684-05	WIRE HARNESS TO HEAT EXCHR.	1	1	1	1	1	
11	25684-04	WIRE HARNESS TO BLOWER	1	1	1	1	1	
	SPTT204	CONVERSION KIT FOR HS1 TO DS1						
CONTROLLER 16.15								
	SPM458	MANUAL THERMOSTAT						
	SPM447	AUTO THERMOSTAT						

^ Suitable for Direct Spark Ignition units only.

^^ Suitable for Hot Surface Ignition units only.